

User Manual

Hand-held Pool Vacuum Cleaner Suitable for Swimming Pool

Model: SV901

Battery: 22.2V 1500mAh 33.3Wh

Cleaning Cycle: 30min

Flow rate: 3.5m³/h

Charging Time: 2-2.5h

With Cotton Filter Precision: 50μm

With Polyester Filter Precision : 100μm

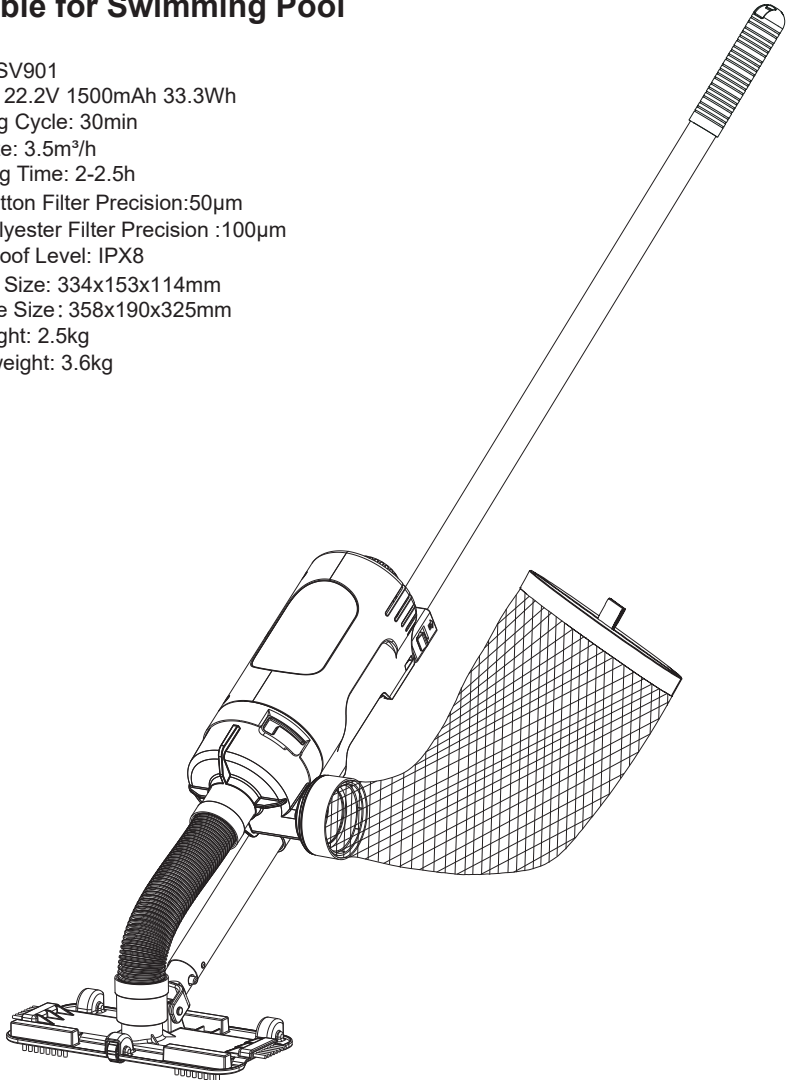
Waterproof Level: IPX8

Product Size: 334x153x114mm

Package Size: 358x190x325mm

Net weight: 2.5kg

Gross weight: 3.6kg



This manual contains important information which can help you in operation and maintenance of pool vacuum cleaner . Please keep it properly for future reference.

- ◆ Thank you for choosing our top-quality Hand-held Pool Vacuum Cleaner Series manufactured by POOLELF.
- ◆ To achieve optimal performance, please read this user manual before usage.
- ◆ Hope you enjoy this product! For any problems you encounter during its usage, please contact the local after-sales service center and turn to the professionals for help.
- ◆ This manual is written by the manufacturer in English and can be translated into other languages to fulfill the local legal and commercial requirements. Since the product is constantly upgraded as needed, the information herein is for reference only, please kindly refer to real object, and we hereby reserve the right to renew the product.

Safety Warnings and Directions

Please read and follow all the instructions in this manual and the equipment so as not to cause serious damage to the product or the operator.

⚠ Warning!

- ◆ Please read the instructions carefully and follow the instructions. Our company is not responsible for any loss or injury caused by improper use.
- ◆ Please keep the hand-held cleaner and its accessories in places where children cannot access. Please keep the children below eight years old or people with mental illnesses from using the product. If needed, please ensure they use the product under the inspection and guidance of custodians.
- ◆ The product should be put into water for usage.
- ◆ For normal use, the water level is 45cm or more, for shallow water use, the water level should be 20cm or more.
- ◆ Applicable water temperature: 5°C (41°F) -45°C (113 °F)
- ◆ If you find any damage in the cleaner, please stop using it.
- ◆ If there is any damage in the components or accessories, please replace the damaged components in time with the components certified by the franchisers or manufacturers.
- ◆ Please shut the cleaner before charge it.
- ◆ Please do not use the product when people or pets are in the water.
- ◆ Please do not use the cleaner to clean any poisonous or combustible objects or use it near explosives.
- ◆ Please do not disassemble the cleaner by yourself. For non-professional people, please do not disassemble the cleaner to replace the impeller, electric motor, and batteries.

Charging Notes

- ◆ Use only the original charger to charge.
- ◆ Please ensure the cleaner and charger to be dry before the charge and refrain from charging it in a humid and high-temperature environment or near an open fire.
- ◆ Only use the accessories recommended or sold by the manufacturer
- ◆ When you do not need the charger, please cut off the electricity.
- ◆ The charging adapter must be connected to the leakage protection ground socket when charging

Caution!

- ◆ Designated for underwater usage, please do not try to use it to clean any other places than the swimming pool
- ◆ Please use the original components supplied by the product.
- ◆ It is not advised to use the product together with other cleaners.
- ◆ Please keep from using the product to clean sharp products in order not to damage the cleaner and the filter screen. Please put the cleaner in a well-ventilated, clean and dry room to charge.
- ◆ If you do not use the product for long, please dry it and store it a well-ventilated area away from direct sunshine and children. Please beware that each battery should be charged for once every three months to keep it from being damaged.
- ◆ The above-mentioned warnings and precautions cannot prevent all risks or serious damages. The user should operate it carefully to avoid damage.

Directions

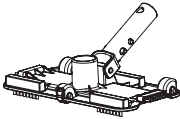
Assembly of the product

1. 1 Assembly of components:

(1) Vacuum Head (2) Vacuum Hose (3) Body (4) Mounting Bracket

(5) Debris Bag ①: Polyester Filter ②: Cotton Filter (6) Small Vacuum Head (7) Charger

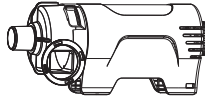
(1)



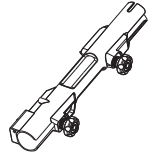
(2)



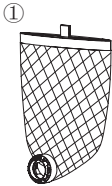
(3)



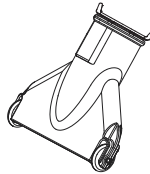
(4)



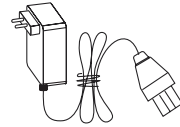
(5)



(6)



(7)

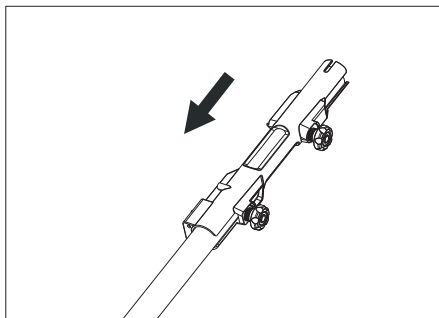


1. 2 Basic application

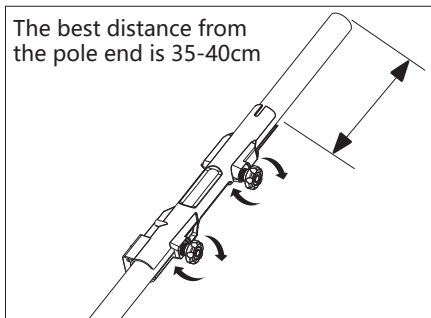
The product is designated for cleaning the swimming pool and SPA. If used improperly, the cleaner might be damaged, which will not be covered by the warranty.

1.3 Installation of the body

Install the body in this way according to the following illustration.
(Industry standard pool pole (Sold Separately))

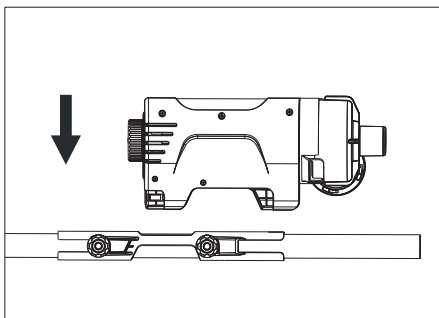


1 Vacuum pole insertion universal mounting bracket.

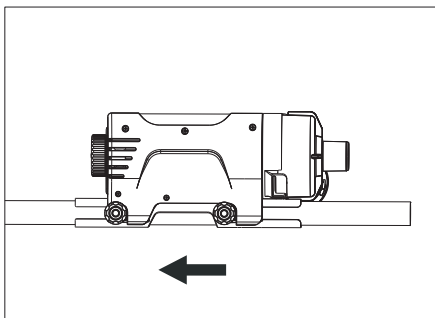


The best distance from the pole end is 35-40cm

2 Find the right position and turn the screws to tighten them.
(Careful not to over tighten)



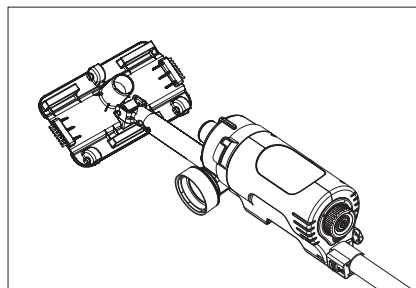
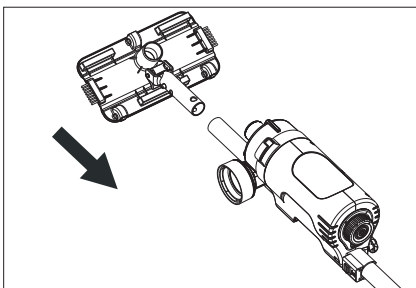
3 Placement from the middle of the mounting bracket.



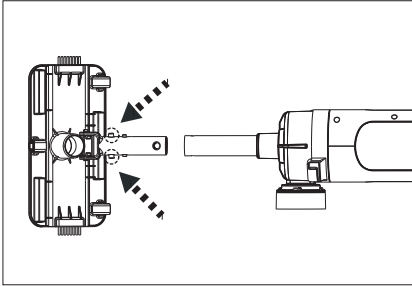
4 Slide the body back to secure it in place.

1.4 Installation of the vacuum head

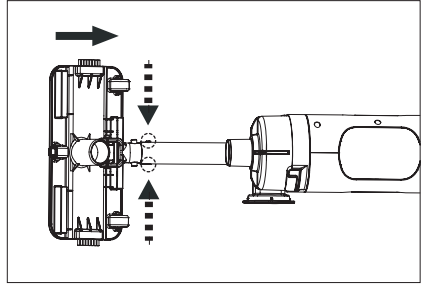
1. Insert the vacuum head into the vacuum pole making sure.



2.Assembling the vacuum head and acuum pole method



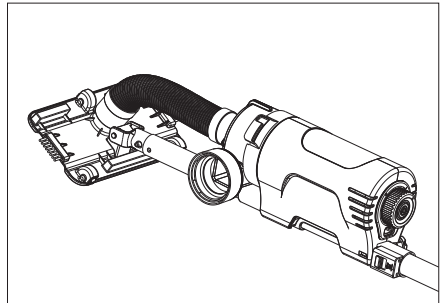
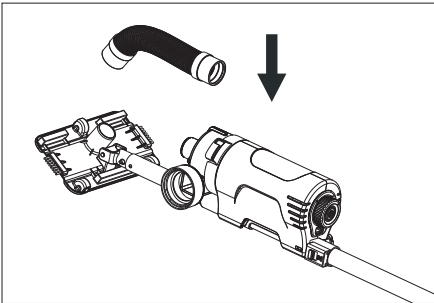
① Press the tab on the side



② Allow tabs to snap into side holes on pole.

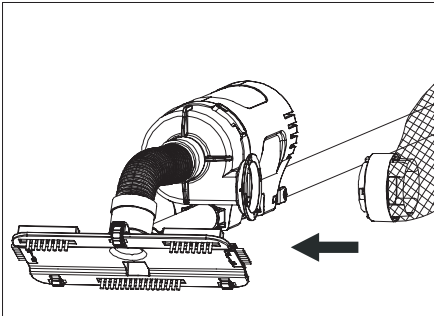
1.5 Installation of corrugated pipe

Insert the vacuum hose into the connecting rod and vacuum head.

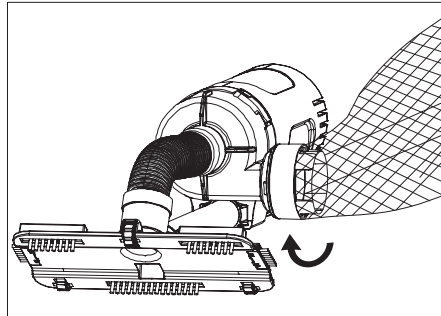


1.6 Installation of debris bag

convenient and quick installation.



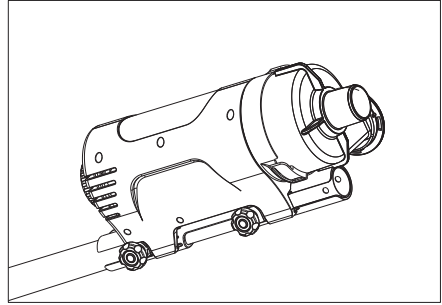
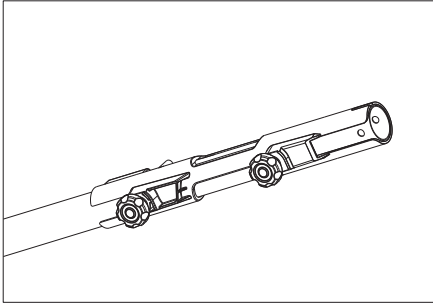
Plugging



Rotate lock

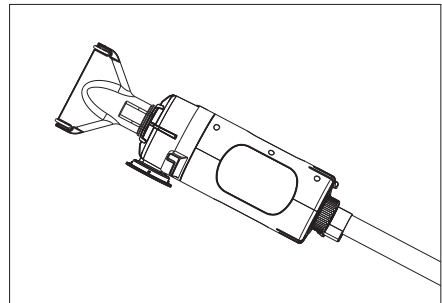
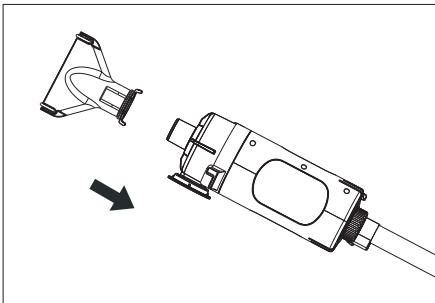
1.7 Methods of use in shallow water

1.Replacement of small vacuum head.



The universal mounting bracket is aligned to the top of the connecting rod following step 1.4, Secure the body in place.

2. Installation of small vacuum head for shallow water

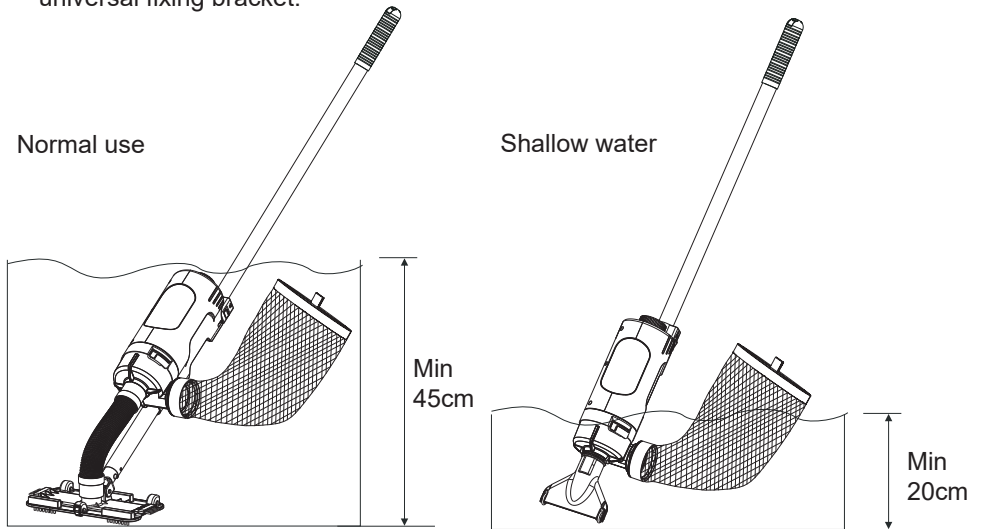


Insert the small vacuum head into the impeller outlet cover making sure, the groove at the interface of the small vacuum head and the protrusion of the impeller outlet cover meet each other.

Small vacuum head installation is complete, Repeat step 1.7 to complete the body installation.

1.8 Minimum water level used

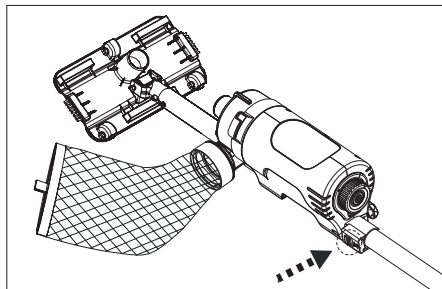
Configure the detection system so that the body cannot be started without the universal fixing bracket.



Do not use in shallow water for more than 15 min, otherwise extreme damage may occur.

1.9 Impeller cleaning

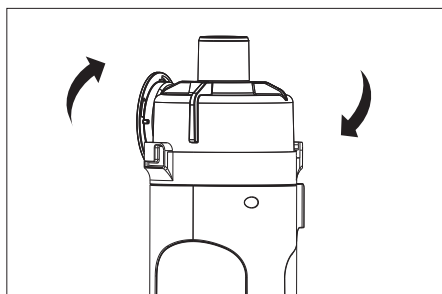
If the impeller is entangled in foreign matter, the overload protection will be triggered, and cleaning and maintenance will be carried out according to the following figure.



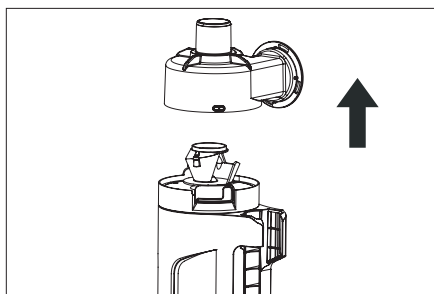
① After switching off the machine, slide the holder button.



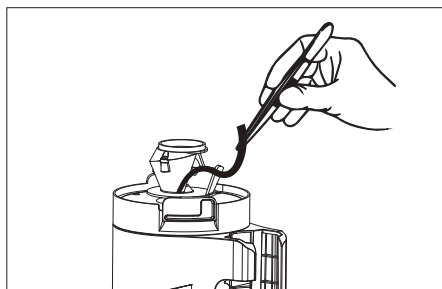
② Remove the body when it is safe to do so.



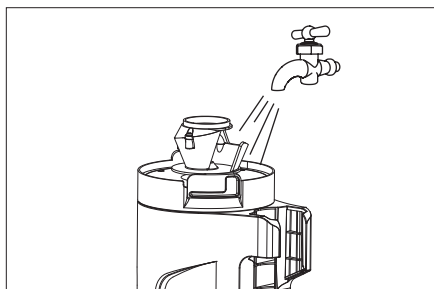
① Open the impeller outlet cover clockwise.



② Remove impeller outlet cover.



③ Cleaning foreign objects from the impeller.

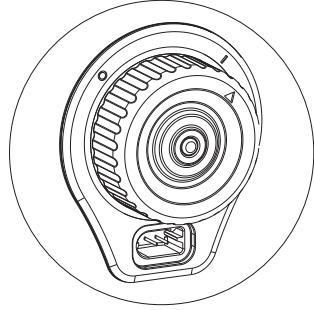
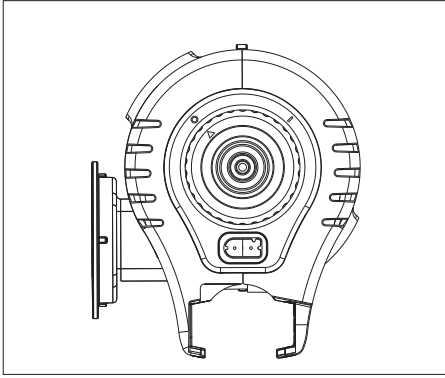


④ Rinse off with clean water.

Once cleaning is complete, secure the impeller outlet cover to the body by rotating it counterclockwise.

2.0 ON-OFF Rotary buttons

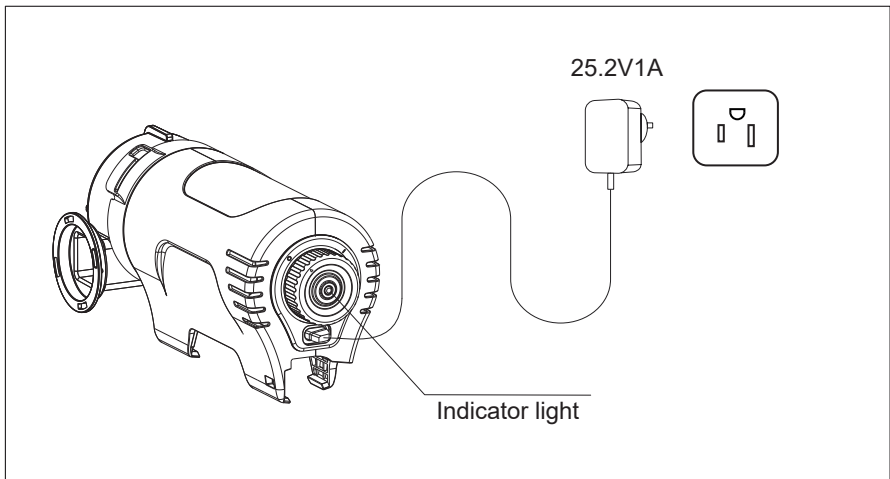
Toggle switch to switch gears: ○ Machine shutdown
| Machine start-up



2.1 Charge

Make sure vacuum is turned off. Connect the external charger to the power source and vacuum body. Once the pool vacuum begins charging, the indicator light on the external adaptor will turn red. Normally, it takes about 2-2.5 hours to reach a full charge.

The indicator light will turn blue when the pool vacuum is fully charged. When charging is complete, disconnect the charger from the power source then unplug the cord from the vacuum.



2.2 Common Trouble Shooting

Faults	Possible causes	Solutions
Will not turn on	Battery power depleted	Recharge for use
	Battery damage	Contact after-sales service center for repair
Low suction power	Low battery	Recharge
	Clogging of debris bag	Cleaning debris bag
	Motor malfunction	Contact after-sales service center for repair
Abnormal noise	Impeller damage	Contact after-sales service center for repair
Not rechargeable	Battery damage	Contact after-sales service center for repair
	Charger damage	Replace the charger

2.3 Battery Disassembly and Recycling

- ◆ This pool vacuum cleaner contains a non-replaceable battery
- ◆ The battery must be removed from the pool vacuum cleaner before being scrapped.
- ◆ When removing the battery, disconnect the pool vacuum cleaner from the power supply.
- ◆ The battery should be disposed of safely and sent to a professional recycling facility.

