

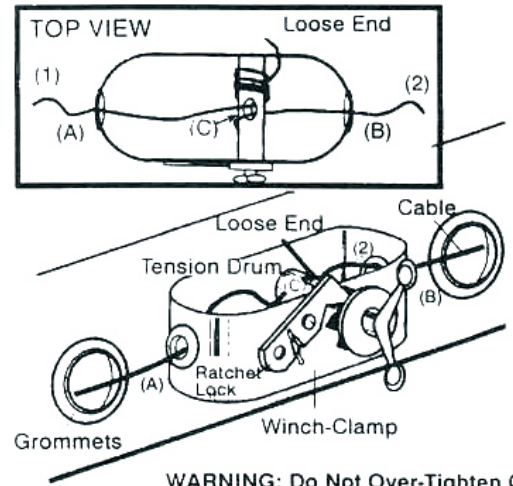
AQUA EZ

Proper installation of your Aqua EZ cover will insure long use and trouble free performance.

CAREFULLY FOLLOW THESE INSTRUCTIONS

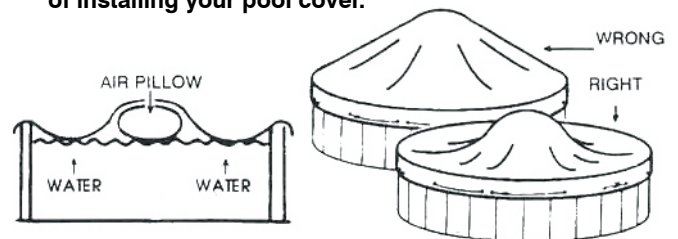
WINTER COVER INSTRUCTIONS FOR ABOVE GROUND POOLS

- (1) Prepare pool for winter storage.
- (2) **IMPORTANT** - Before placing cover on pool, make certain no exposed sharp edges are in contact with the cover. Pad sharp edges where necessary so as not to damage cover.
- (3) Insert cable through grommets on pool cover (under and over) as illustrated.
- (4) Place cover over pool so that it hangs over side of pool about 12" to 18".
- (5) Bring both ends of cable through opening A & B into winch-clamp / one end of cable through opening A & the other end of cable through opening B.
- (6) Continue to bring ends of cable through opening C - end no. 1 over & through opening C & end no. 2 under and through opening C as illustrated. Pull ends through until cable appears reasonably taut around pool edge.
- (7) To supply additional cable tension and ensure pool cover is securely fixed, turn tension handle clockwise until cable is tight.
- (8) Ratchet lock will automatically lock tension drum. To release cable, raise ratchet lock allowing tension drum to unwind.



WARNING: Do Not Over-Tighten Cable.

The following diagrams show the correct method of installing your pool cover.



WINTER COVER INSTRUCTIONS FOR IN-GROUND POOLS

Lower the water level in your pool below skimmer to prevent freezing. Follow steps on reverse side (F and G) using winter plugs and non-toxic pool antifreeze.

Unfold winter cover black side down and completely cover swimming pool. The cover rests upon and is supported by the pool water. The winter cover should come up the side walls of the pool at a right angle with the water level. Winter cover size is 5' larger than pool to provide for lower water level.

Insert unfilled vinyl water tubes through the cover straps around the complete perimeter of the pool. It is important to lay the water tubes end to end to prevent the wind from getting under the cover. **A BILLOWING WIND CONDITION CAN CAUSE SERIOUS DAMAGE TO YOUR COVER.** Water tubes should be filled 3/4 full to allow for expansion of ice during the winter months.

NOTE: When the cover is properly installed, it is normal for a small amount of water to accumulate onto the surface of the cover. If there is not water on the surface of the winter cover, add about one inch of water on top of cover to assure it does not flap during high winds.



Aqua EZ Winter Pool Covers are designed solely to protect your pool from the elements during the off season and is not designed for use as a safety cover. It is not designed to support people or any weight. Under no circumstances should one allow unsupervised children near pool, covered or uncovered. Under no circumstances should one stand, walk, crawl, sit or jump on the pool cover. Winter cover is not intended as a buoyancy device or a mechanical safety restraint and should not be so used.

PLACE
STAMP
HERE

AQUA EZ
6100 Wheaton Dr.
Atlanta, Ga 30336

AQUA EZ®

Aqua EZ warrants this winter cover, to be free of manufacturing defects for a period of one pool season in accordance with the terms of this limited warranty. NOTE: Excessive abrasion, holes caused from wear, wind damage and grommets pulling out are specifically excluded from this warranty. The anchoring of the cover with water tubes, is most important to prevent billowing in high wind. Cement blocks or bricks used to secure cover, in place of water tubes may cause damage and void warranty.

DO NOT RETURN THE PRODUCT TO THE PLACE OF PURCHASE.

All warranty claims must be handled directly with Aqua EZ.

Return all covers as follows:

1. Cover must be clean and dry. Remove all hardware cable and water tubes. Return only the component that is at fault.
2. Enclose in a separate envelope attached to the outside of the following:
 - A. Copy of the original sales receipt for proof of purchase.
 - B. A statement describing the location and nature of the problem.
 - C. Return shipping address and daytime telephone number.
3. Send U.P.S. prepaid when possible or via common carrier freight prepaid. Collect shipments will be refused. Cover will be returned freight collect, via best possible way.
4. Prior authorization required prior to the return of defective product. Address your letter or phone call to customer service dept., - Aqua EZ 6100 Wheaton Dr. Atlanta, Ga. 30336. Telephone number is (404) 696-2707

First Pool Season = Full Coverage

WINTER COVER LIMITED WARRANTY

WARNING

- THIS IS NOT A SAFETY COVER.
- STAY OFF COVER - WILL NOT SUPPORT WEIGHT
- FENCE AND LOCK POOL AREA
- KEEP CHILDREN AWAY. CHILDREN OR OBJECTS CANNOT BE SEEN UNDER COVER.
- REMOVE COVER COMPLETELY BEFORE ENTRY OF BATHERS - ENTRAPMENT POSSIBLE.
- FAILURE TO FOLLOW ALL INSTRUCTIONS MAY RESULT IN INJURY OR DROWNING.
- NON-SECURED OR IMPROPERLY SECURED COVERS ARE A HAZARD.
- UPON REMOVAL OF POOL, COVER SHOULD BE STORED IN AN AREA NOT ACCESSIBLE BY CHILDREN.

This warranty will be void and the company will have no obligation to you with the respect to the product if the company determines that the product was damaged by incorrect installation, exposure to pool chemicals, tearing due to contact with sharp objects or rough surfaces, failure to follow the instructions included with the product or misuse of the product. This warranty does not cover abrasion or normal wear and tear of the pool cover material.

**ANY AND ALL WARRANTY CLAIMS WILL BE HANDLED BY AQUA EZ
DO NOT RETURN COVER TO YOUR DEALER.**

MAIL OR FAX IN YOUR WARRANTY CARD

Aqua EZ
6100 Wheaton Dr. Atlanta, Ga. 30336
Phone: (404) 696-2707 Fax: (404) 696-6808

WARRANTY CLAIM RETURN CARD

(Return this card if you develop a problem with Your cover or discover a manufacturing defect)

Aqua EZ
6100 Wheaton Dr. Atlanta, Ga. 30336

I have a warranty claim on my Winter Cover. Kindly contact me.

Name _____
Address _____
City _____ State _____ Zip _____
Phone Number _____
Date of purchase _____
Pool Size _____
Cover Size _____

AQUA EZ WINTER COVER LIMITED WARRANTY CARD

This completed product registration card must be mailed or faxed within 10 days of purchase.

Name _____ Cover Size _____
Address _____ Date of purchase _____
City _____ State _____ Zip _____ Store Purchased From _____
Phone Number _____ Retail Price _____

AVOID DROWNING RISK

- THIS IS NOT A SAFETY COVER
- STAY OFF COVER - WILL NOT SUPPORT WEIGHT
- FENCE AND LOCK POOL AREA
- KEEP CHILDREN AWAY. CHILDREN OR OBJECTS CANNOT BE SEEN UNDER COVER.
- REMOVE COVER COMPLETELY BEFORE ENTRY OF BATHERS - ENTRAPMENT POSSIBLE.
- FAILURE TO FOLLOW ALL INSTRUCTIONS MAY RESULT IN INJURY OR DROWNING.
- NON-SECURED OR IMPROPERLY SECURED COVERS ARE A HAZARD.
- UPON REMOVAL OF POOL, COVER SHOULD BE STORED IN AN AREA NOT ACCESSIBLE BY CHILDREN.

I have read all provisions of the warranty and instruction sheet and I am fully aware that the cover is not a safety cover.

Purchaser's Signature